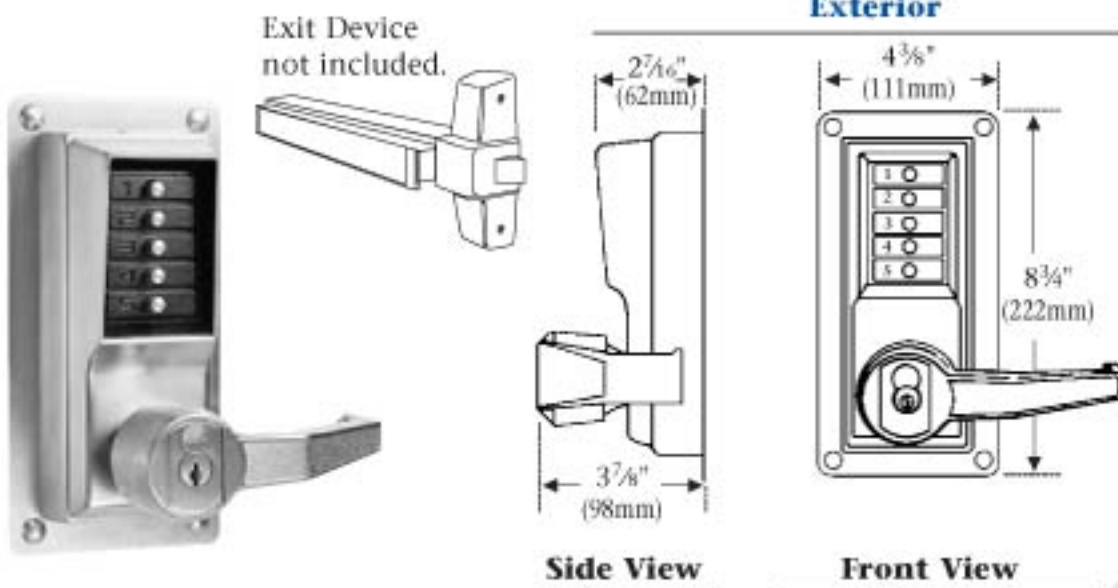


# EXIT DEVICE CONTROLS

## LP1000 Series



### Specifications

**Construction:** Heavy-duty lock housing; conforms to ANSI 156.2 Grade 1; all metal; cast front housing; brass mounting plate; fixed cast ADA-compliant lever

**Strike:** Not supplied

**Latch & Exit Device:** Not supplied

**Door thickness:** Up to 2 1/4" (57 mm); optional 4" (102 mm)

**Installation:** 5" (127 mm) minimum stile required; recessed through bolts may be required

**Door handing:** Factory handed; not field reversible

**Tailpiece:** 2 1/4" (70 mm) tailpiece for exit device operation from outside

**Exit device hub rotation:**

Up to 60°, counterclockwise for left hand & clockwise for right hand

**Exit device compatibility:** Von Duprin Exit Only (EO) or Exit Only Fire (EOF) 22, 88 (EO), 98, 99, 900, 9859, 9957, 90027, 90047WDC, 90057; American Device 6324, F6324, Detex Advantex Series 10, 20, 21, 40, 50, 51; Monarch XX-R\*, FXX-R, 18-R\*, F-18-R\*, 17-R, F-17-R, XX-V\*, F-XX-V\*, 18-V\*, F-18-V\*, 11-R\*, 11-V\*

\*Requires special k-hub adapter.

**Control:** Combination change tool

**Weight:** 8 lb. (3.6 kg)

### Door Handing

Not field reversible. Look at the door in its closed position from the exterior (pushbutton side), and use the corresponding diagram below.



Right Hand Reverse Bevel



Left Hand Reverse Bevel

### Application

The LP1000 Series lock is a fully mechanical pushbutton access control with no electrical wiring, electronics, or batteries. This lock is designed to operate surface mounted exit devices (not supplied) from the outside using a tailpiece, replacing the key cylinder on new or existing devices. Exterior access is by combination. Egress is by interior exit device and is free at all times. The LP1000 lock meets Americans with Disabilities Act (ADA) standards.

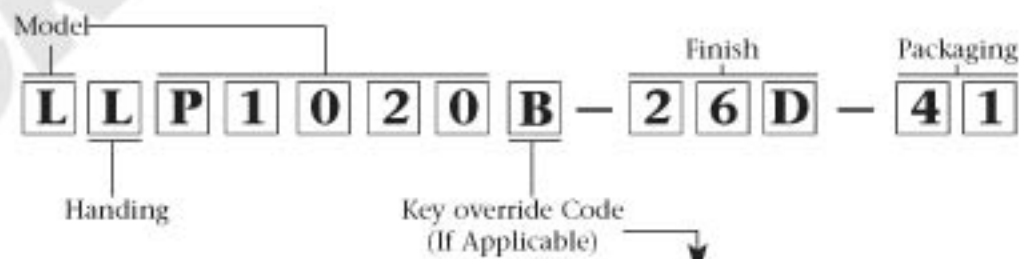
The lock can be used with many leading brands of surface-mounted (rim-mounted) exit devices; however, the LP1000 cannot be used with mortise design or most vertical rod exit devices. The exit device can be "dogged" open without affecting the operation of the lock.

### Ordering Information

#### Example

Left Hand Reverse Bevel model LP1020 with Best & Compatibles key override, Satin Chrome finish, packaged 1 per box.

Build the part number with the features you require:



Model	Key Override	Key Override	
		Accepted Core*	Code
LP1010		n/a	n/a
LP1020	✓	ASSA Best & Compatibles (6 or 7 pin) Corbin / Russwin Medeco** / Yale (6 pin) Sargent Schlage Best Equivalent (core included)	A B C M R S XB

\* Accepts removable core cylinders (not supplied).

\*\* 5-pin Medeco cylinder requires a special knob spacer. Request spacer when ordering, part number 201569 (supplied free of charge).

Handing	Description	Finish	Description	Packaging	Description
L	Left Hand Reverse Bevel	026	Bright Chrome (625)	41	1 per box
R	Right Hand Reverse Bevel	26D	Satin Chrome (626)		